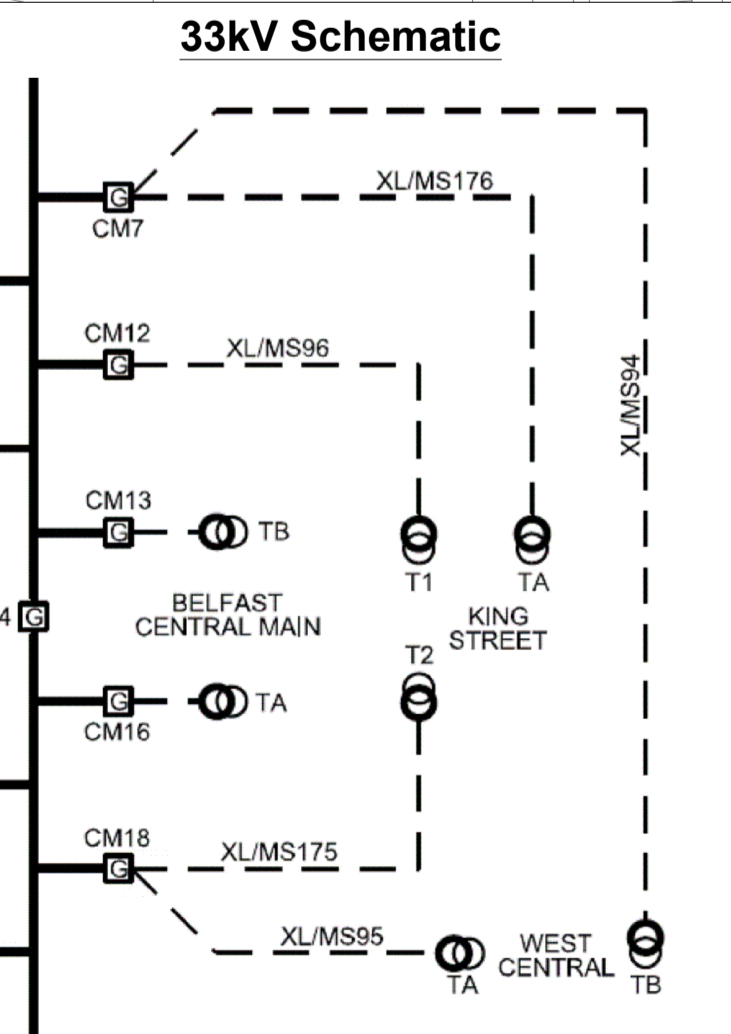


- Notes**
1. Cross Section A to be installed. Cross Section B only to be used with agreement of the Project Engineer.
 2. Solution for repair of concrete road slab at Great Patrick Street to be agreed with DFI Roads, in advance of the works.
 3. Cables to cross existing cables at right angle and 300mm vertical clearance to be kept between new cable and tile of lower HV cable. Highest voltage cable always below lower voltage.
 4. A position for intermediate joints to be agreed with the Project Engineer, after taking into account a clear area of suitable size and traffic management.
 5. NIE Networks Cable Records Drawing office to be informed in advance of duct, cable and joint installation.
 6. All new cable routes and joint positions shall be accurately recorded and returned to NIE GNIS Group.
 7. Traffic loops, road markings and special surface dressings to be replaced immediately after reinstatement.
- Existing Services**
- Excavations to comply with the requirements of HSG 47 'Avoiding danger from underground services'.
 - All work in the vicinity of overhead lines to comply with the requirements of GS 6 'Avoidance of danger from electric powerlines'.
 - All work to be carried out in accordance with SRI 5. 'High Voltage Cables'.
 - Existing utility services are not shown on this drawing.
 - All cables to be positively identified before commencing work.

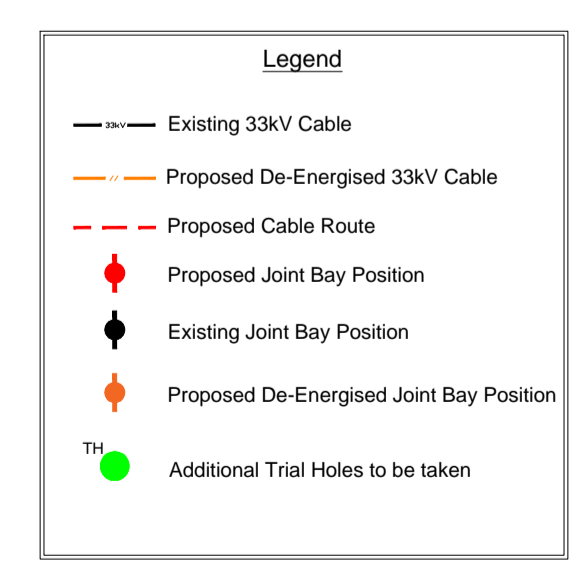
33kV Circuit Designation	Destination	Existing Cable type at Great Patrick Street	Existing Cable type at Peter's Hill	New Cable type	Joint at Great Patrick Street and intermediate joints JB 1/2	Joint at Peter's Hill/Townsend Street JB 3/4	Approximate Length	Associated Multi-core/pair cable ID	Cable record
MS 94	Belfast Central Main - West Central Tx B	3 x 1240 Cu Cond XLPE	0.15 Sq Ins 33kV HSL screened SLSTA	1240 Cu Cond XLPE	Single core polymeric St Thru Joint	HSL/XLPE Transition St Thru Joint	950 metres x 3	T110	Book 71
MS 95	Belfast Central Main - West Central Tx A	3 x 1240 Cu Cond XLPE	0.15 Sq Ins 33kV HSL screened SLSTA	1240 Cu Cond XLPE	Single core polymeric St Thru Joint	HSL/XLPE Transition St Thru Joint	950 metres x 3	T112	Book 71
MS 96	Belfast Central Main - King Street T1	3 x 1240 Cu Cond XLPE	0.15 Sq Ins 33kV HSL screened SLSTA	1240 Cu Cond XLPE	Single core polymeric St Thru Joint	HSL/XLPE Transition St Thru Joint	950 metres x 3	T111	Book 71

NOT ASSOCIATED WITH A 33kV CIRCUIT - T113, T114, T115, T123



Circuit Designation	Telephone Cable type at Great Patrick Street - 1/0.9mm PVC SWA PE PE	Telephone Cable type at Peter's Hill - 1/0.9mm PVC SWA PE PE	New Cable Type	Approximate Length including remake loops	Joints	Cable record
T110*	7 Pair	7 Pair	7 Pair	1000 metres	Resin filled shell	Book 71
T111*	7 Pair	7 Pair	7 Pair	1000 metres	Resin filled shell	Book 71
T112*	7 Pair	7 Pair	7 Pair	1000 metres	Resin filled shell	Book 71
T113	19 Pair	19 Pair	7 Pair	1000 metres	Resin filled shell	Book 71
T114	37 Pair	19 Pair & 7Pair	19 Pair	1000 metres	Resin filled shell	Book 71
T115	37 Pair	19 Pair & 7Pair	19 Pair	1000 metres	Resin filled shell	Book 71
T123	19 Pair	19 Pair	Not to be replaced, faulty	1000 metres	Resin filled shell	Book 71

* Some telephone cables are being used for intertripping



Reproduced from the Ordnance Survey map with the permission of the Director and Chief Executive © Crown Copyright

NIE CAUTION NOTICE
THE CABLES AND EQUIPMENT SHOWN ON THIS DRAWING REPRESENT THE BEST INFORMATION AVAILABLE AT THE TIME OF PREPARATION. IT IS THE RESPONSIBILITY OF CONTRACTORS TO AVOID DAMAGE TO CABLES AND EQUIPMENT INCLUDING THOSE WHICH MAY NOT APPEAR ON THE DRAWINGS.

Northern Ireland Electricity Networks
Belfast Central Main
West Central
King Street Tx A (XLMS95) Tx B (XLMS94) T1 (XLMS96)
Proposed 33kV Cable Route
Phase 1

Drawn by: E. McMenemy
Checked by: G. Spence
Date: 14/06/2019
Scale: As Noted

NIE Engineering Design and Technical - Drawing Office Dargan